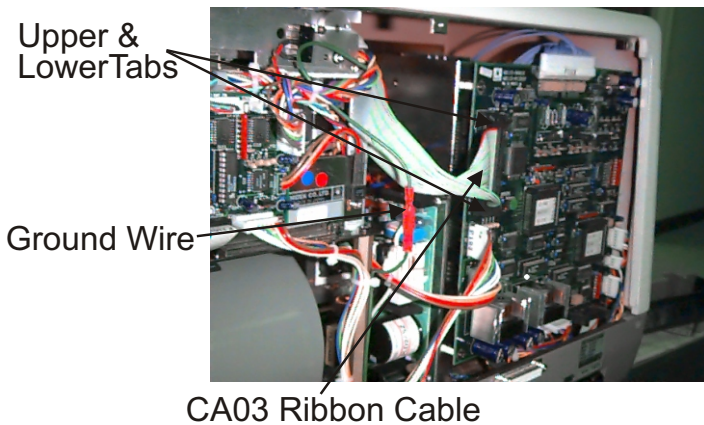
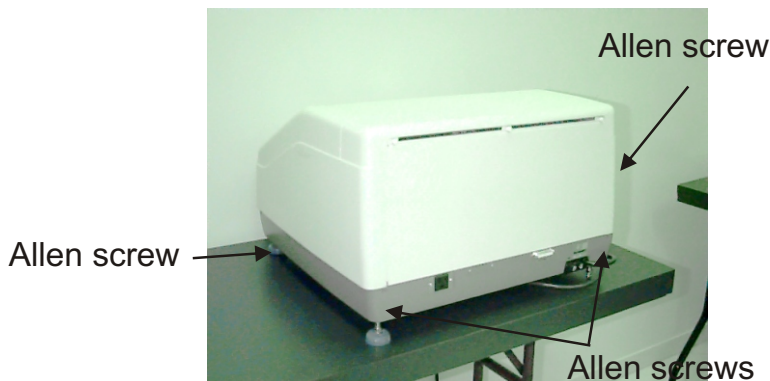


- 1- Power off and unplug edger.
- 2- Remove three (3) thumb screws that hold edger's rear panel cover
- 3- Remove edger's rear panel cover.



- 4- Lift upper tab and push down on lower tab to remove CA03 ribbon connector (green and grey wires with one (1) red wire on top) from the J1 connector on the BA01 board.
- 5- Some edgers have ground wire (green wire with red plastic sleeve in middle). This is installed to meet European guidelines. This ground wire must be disconnected before removing cover.



- 6- Remove four (4) allen screws from base of edger. Size of allen wrench should be 3mm and should be located in edger's tool kit. 3mm should be the middle size of the three allen wrenches contained in the kit.



- 7- Once the four (4) allen screws are removed, lift edger's cover straight up until it clears edger. Once clear of the edger, place cover down gently. Please use extreme caution because control panel is not fastened down.

Caution: When replacing cover, be careful the brass prongs on the bottom of the cover don't damage any of the circuits on the back of the machine.