

New tracer LE9TR-1 (the mechanism, parts and software) is basically the same as LE-9000 tracer. On the conventional 7070/7070SX tracers, two different speeds (FAST or SLOW) tracers exist. 7070 edger needs SLOW tracer. 7070SX tracer needs FAST tracer. But this new tracer has no speed setting (only one speed) and is compatible with 7070 and 7070SX. We can install into 7070 and 7070SX edger.

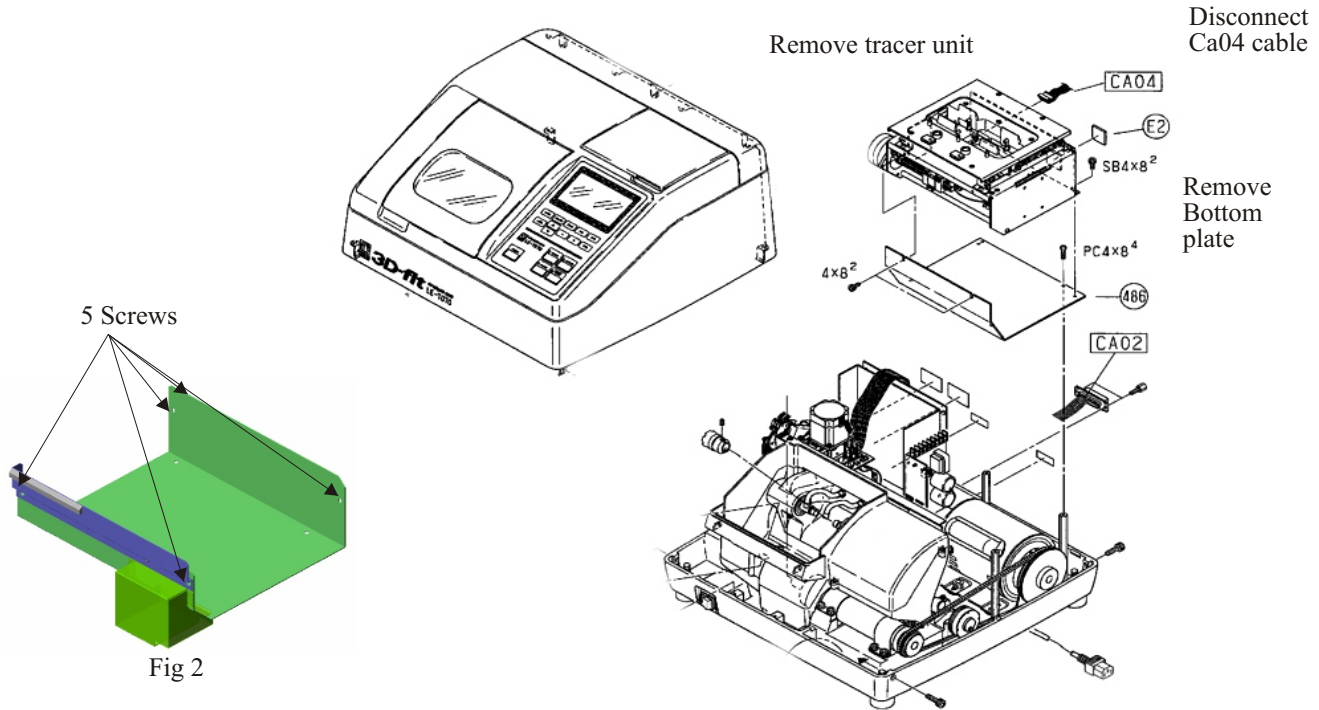


Fig 2

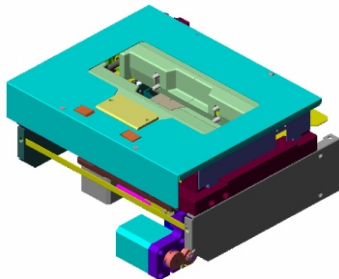


Fig 3

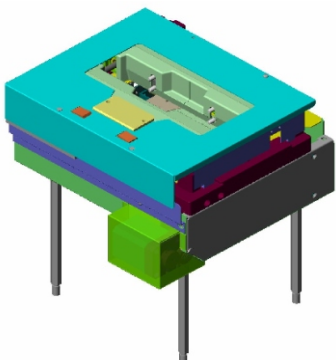


Fig 4

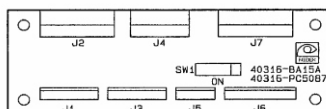


Fig 5

Replacement

- 1- Turn power off. Take top cover out.
- 2- Disconnect CA04 cable.
- 3- Remove the tracer. Also remove the bottom cover plate #486.
- 4- In Fig. 2 remove 5 screws (2 screws on front, 3 screws on back).
- 5- Remove the bottom plate of new tracer and put it in the edger.
- 6- In Fig.2 put new tracer unit in. Tighten 5 screws (2 screws on front, 3 screws on back).
- 7- In Fig 5, connect Ca04 cable to J2 of Ba15 board
- 8- In Fig 5, make sure that Dip SW #3 is down on the BA15 board. (Baud Rate : 38400).
- 9- Put top cover back in.
- 10- Turn the power on and check the functionality

Software

Software version is V1.00.

Auto Calibration

- 1- Same procedure as LE-9000 tracer. Set 45 square JIG frame.
- 2- Press& hold Left eye trace button and press Right tracer button. And then release them. Binocular trace button will blink.
- 3- Press binocular trace button. Auto calibration will start.