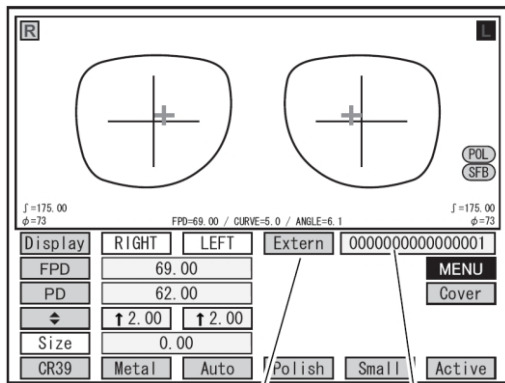
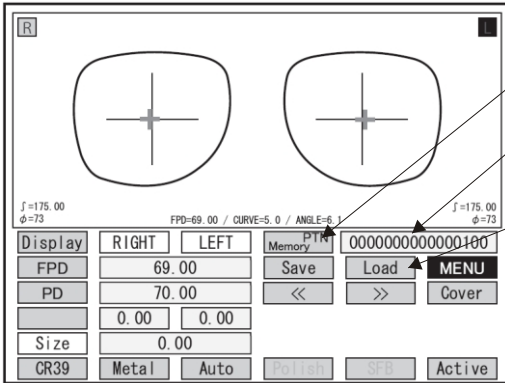


### ME-1000

- 1- Set **PTN Memory** (for a pattern) or **JOB Memory** (for a job).
- 2- Enter the number of the pattern or job that you want to recall. The pattern or job will appear on the display.
- 3- Press **ENT**.
- 4- Press **Load**.
- 5- Press **PTN Memory** or **JOB Memory** and then **External**.
- 6- Press **Send**.



Outline data import button

Job No.

### ICE-9000

- 1- Set import selector in the upper left corner to **Read Job**.
- 2- Enter the number of the pattern or job that was used on the ME-1000 above.
- 3- Press **ENT**. The pattern or job will appear on the display.
- 4- Block the lens or, press **MEMORY**.

